

# Hale

## PET Felt Stack Chair



- made from recycled PET bottles and steel
- also available in counter and bar height
- optional armrests and seat upholstery
- suitable for contract use
- stackable up to 8 pieces
- delivered preassembled

### Colours

#### Seat+backrest



#### Frame

- Standard** RAL 9011 (Black) / RAL 9010 (White) with 70% gloss degree
- Custom** Any RAL colour with 70% gloss degree
- Fine texture\*** RAL 1012 (Yellow) / RAL 3005 (Pink) / RAL 5008 (Marine) / RAL 5020 (Turquoise) / RAL 6007 (Dark Green) / RAL 6020 (Green) / RAL 7015 (Dark Grey) / RAL 7033 (Olive) / RAL 7044 (Beige) / RAL 7045 (Light Grey) / RAL 8014 (Brown) / RAL 9011 (Graphite Black)

\*Fine texture finishes are ton sur ton with PET Felt colours.

#### Upholstery

[Kvadrat collection](#)

\*\*Please, note that seat upholstery is available as an optional feature.

#### Bespoke options

Create a custom design in the [Configurator](#) at [devorm.nl](#)

**DeVorm**

+31(0) 268 200 360  
info@devorm.nl | devorm.nl

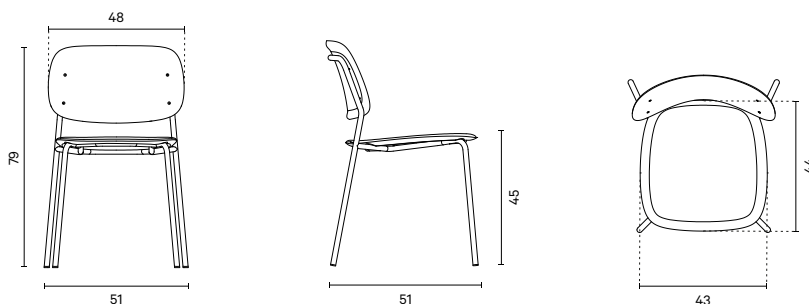
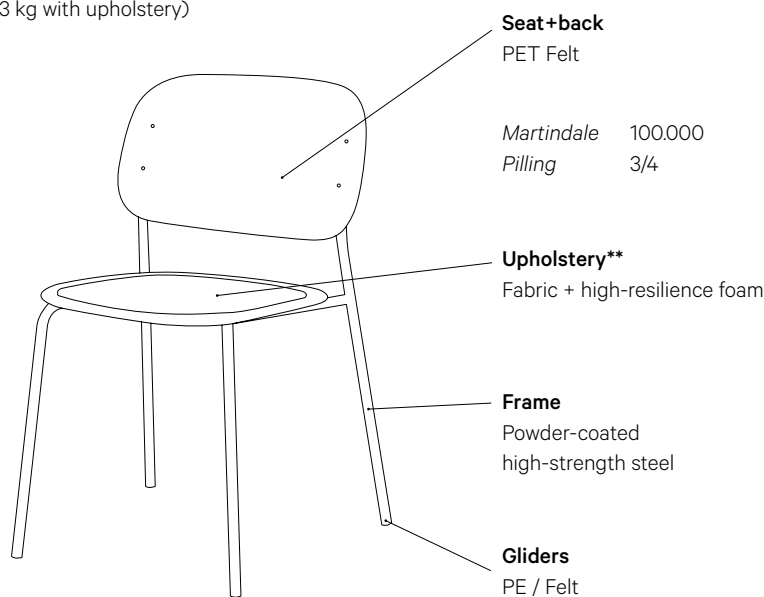
Hale was inspired by a classic school chair - simple, functional, no-nonsense. Made from PET Felt, the seat and backrest have a soft texture and gently curved shape granting outstanding comfort. Combined with a slender steel frame, few elements grant Hale its clean expression yet surprisingly extensive functionality. The chair is easily stackable and fully customisable in colours and materials, making it suitable for various interior settings.

Designed by **Ivan Kasner and De Vorm**

### Product overview

#### Weight

5 kg (+0.3 kg with upholstery)



#### Certifications

- ANSI-BIFMA X5.1-2017 General purpose office chairs
- BS 5852:2006 Ignitability test (performed on PET Felt)
- ISO 12947-2:2016 Abrasion resistance test (performed on PET Felt)
- ISO 12945-2:2000 Pilling Martindale (performed on PET Felt)

#### Care & Maintenance

Due to its porous structure, PET Felt can be easily cleaned with water. To remove most stains, it is sufficient to apply a copious amount of water and let it drip through. Do not rub the PET felt surface to avoid excessive pilling. If water is not sufficient, stubborn stains can be removed with professional cleaning products like the James cleaning set.

#### Downloads

3D files, technical drawings and Hi-Res images are available in the [Download Library](#) at [devorm.nl](#)

#### Additional information

You can find further maintenance recommendations, warranty terms and corporate information in the [Information Bank](#) at [devorm.nl](#)

reddot winner 2020  
office design

DESIGN  
AWARD  
2021