

# Pod

## PET Felt Privacy Chair



- made from recycled PET bottles
- fully customisable design
- gentle sound-dampening effect
- suitable for contract use
- delivered preassembled

### Colours

#### Shell



#### Frame

*Standard* Clear lacquer / RAL 9011 (Black) with 70% gloss degree

*Custom* Any RAL colour with 70% gloss degree

#### Upholstery

[Kvadrat collection](#)

#### Bespoke options

Create a custom design in the [Configurator](#) at [devorm.nl](#)

DeVorm

+31(0) 268 200 360  
sales@devorm.nl | devorm.nl

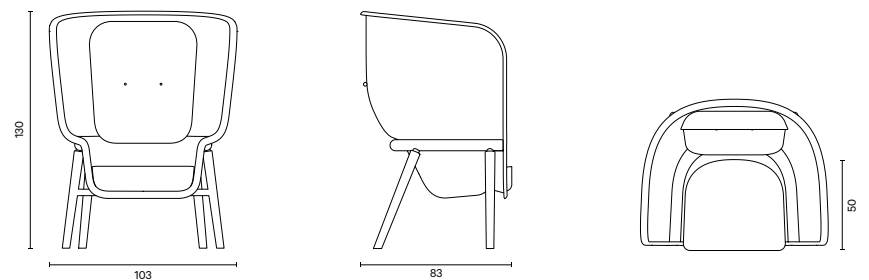
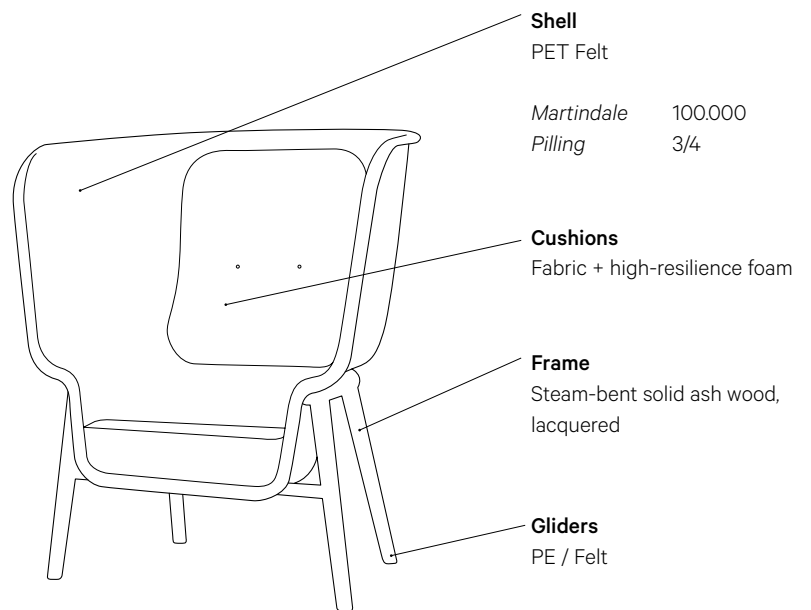
Designed with privacy in mind, Pod chair grants a sense of seclusion combined with extensive seating comfort. The embracing PET Felt shell has a pleasant soft texture and a subtle sound-dampening effect. Combined with an elegant ash frame and two upholstered cushions, they create a unique expression making the chair a true eye-catcher. Pod solves privacy issues in breakout areas, hotel lobbies and lounge zones. It comes in eleven unique PET Felt blends with many options for frame colour and upholstery.

Designed by **Benjamin Hubert**

### Product overview

#### Weight

20 kg



#### Certifications

- ISO 12947-2:2016 Abrasion resistance test (performed on PET Felt)
- ISO 12945-2:2000 Pilling Martindale (performed on PET Felt)

#### Care & Maintenance

Due to its porous structure, PET Felt can be easily cleaned with water. To remove most stains, it is sufficient to apply a copious amount of water and let it drip through. Do not rub the PET felt surface to avoid excessive pilling. If water is not sufficient, stubborn stains can be removed with professional cleaning products like the James cleaning set.

#### Downloads

3D files, technical drawings and Hi-Res images are available in the [Download Library](#) at [devorm.nl](#)

#### Additional information

You can find further maintenance recommendations, warranty terms and corporate information in the [Information bank](#) at [devorm.nl](#)



reddot design award

100%design®